



# DNH

HEAD OFFICE, NORWAY

**DNH AS**

Phone..... + 47 35 98 56 00

Fax..... + 47 35 98 56 10

E-mail..... dnh@dnh.no

Web-Site..... www.dnh.no

ENGLAND

**DNH WW Ltd**

Phone..... + 44 1908 275 000

Fax..... + 44 1908 275 100

E-mail..... dnh@dnh.co.uk

GERMANY

**DNH GmbH**

Phone... + 49 040 6569 30-0

Fax..... + 49 040 6569 30-30

E-mail..... dnh@dnh.de

USA

**DNH Speakers Inc**

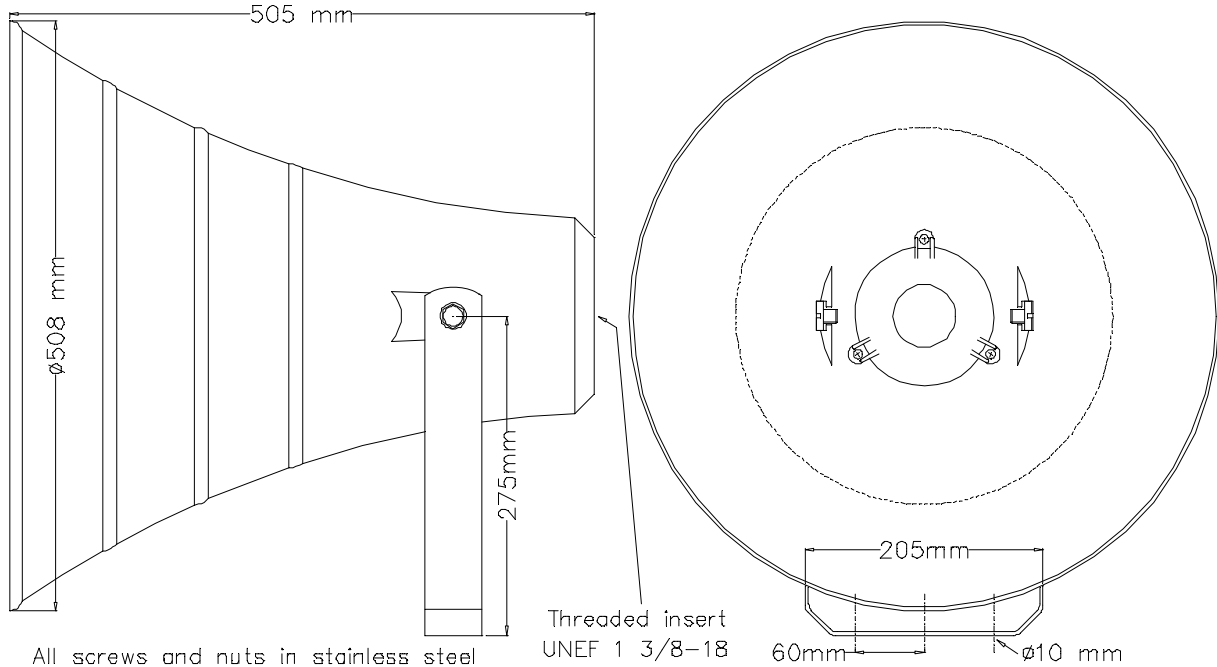
Phone..... + 1 484 494 5790

Fax..... + 1 484 494 5793

E-mail..... dnh@dnhspeakers.com

## DH-50

ISO 9001 CERTIFIED



### Sound pressure levels at 1W/1m with DS-100 driver

#### SPL vs Freq



### Specifications

Material / Color	Fiberglass laminated polyester / RAL 7035
Mounting Termination	Bracket
Weight w/transformer	5,15 kg
IP-rating	
Max. / min. amb. temp	
Rated / max. power	
SPL 1W/1m	
SPL rated power	
Effective freq. range	
Dispersion (-6dB) 1kHz / 4kHz	
Directivity factor, Q	
Options	Impedances, colors, labels

### Installation, Operation and Maintenance Procedures

- Screw a suitable driver unit (DUP-40 / DST-100) into the threaded insert (1 3/8-18).
- Use enclosed gasket to achieve max fit.
- Fasten bracket to wall with 3 screws.
- To change the position of the horn, please adjust the bracket (by loosening / tightening the screws) as required.
- This horn is supplied with a 2 year warranty against defective materials and workmanship.

DNH reserves the right to alter specifications without notice

